

FirePillow-240™

Temporary or permanent fire barriers for copper pipes & cable trays and electrical cables
Approved to AS1530.4: 2014 & AS4072.1-2005



Technical Data Sheet

Edition 5

Published: December 2023



Offering up to 3 hours fire protection....

BOSS Passive Fire Pty Ltd

AU: 1300 502 677

NZ: 0800 502 677

W: bossfire.com.au

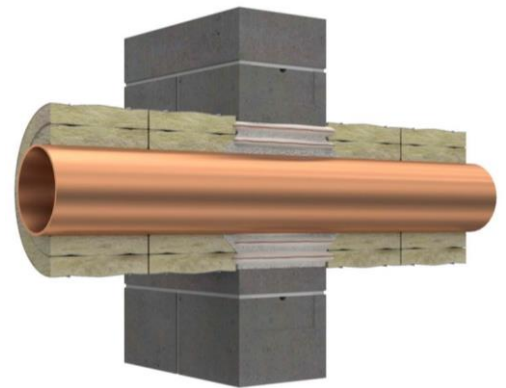
KEY BENEFITS

- Low cost solution to maintain fire wall and floor integrity
- Offers up to 3 hour fire rating
- Easy to carry, transport and store
- Non-toxic
- Cost effective
- Simple to install
- Reusable – allow for opening and re-opening of penetrations
- Complies to AS1530.4: 2014 & AS4072.1-2005
- Can be used in conjunction with pre-existing certified pillow systems



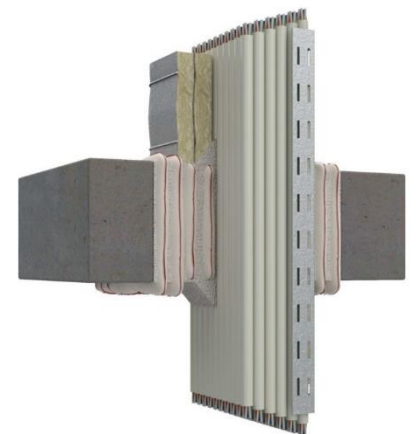
INTRODUCTION

The BOSS FirePillow-240™ covers a wide variety of applications. Fire Pillows are treated fabric bags containing fire retardant granulated rockwool, securing penetrations in fire rated construction against the spread of fire. They are best suited to environments where metallic pipes, electrical, power & telecommunications cables & cable trays penetrate concrete floor slabs & concrete or masonry walls in service risers, shafts, plant areas and car parks.



APPLICATION

FirePillow-240™ are designed to fire rate wall and floor penetrations which may incorporate cables, cable trays & metal pipes, where up to 3 hours integrity and 3 hours insulation are required. Refer to Performance Specifications section on page 3 for further information. FirePillow-240 are compliant with AS1530.4-2014 and AS4072.1-2005.



BOSS FirePillows-240™ are suitable for use in any building which has single or multiple services penetrating fire rated compartment walls and floors.

Typical installations are:

- Retail stores and shopping centres
- Residential apartments
- Commercial buildings
- Telecommunications / data centres
- Power stations / substations
- Factories / industrial applications
- Office fit-outs

BOSS FirePillows-240™ are available in the following sizes:

Size	Part ID	Dimensions	Box Qty
Small	FP-100	200 x 100 x 40mm	125
Medium	FP-200	200 x 200 x 40mm	50
Large	FP-300	300 x 200 x 40mm	30

PERFORMANCE SPECIFICATIONS

FirePillows-240™ have extensive approvals including AS1530.4-2014, and AS4072.1-2005 offering up to 3 hours protection in conjunction with other BOSS firestopping products such as FireMastic-300™, P40-MAK Wrap and Thermal Defence Wrap.

IMPORTANT:

In order to ensure performance and compliance, passive firestopping products must be installed in accordance with the test evidence, manufacturer's specifications or be the subject of a performance solution.

Each project and/or application may have specific requirements and you should investigate these carefully.

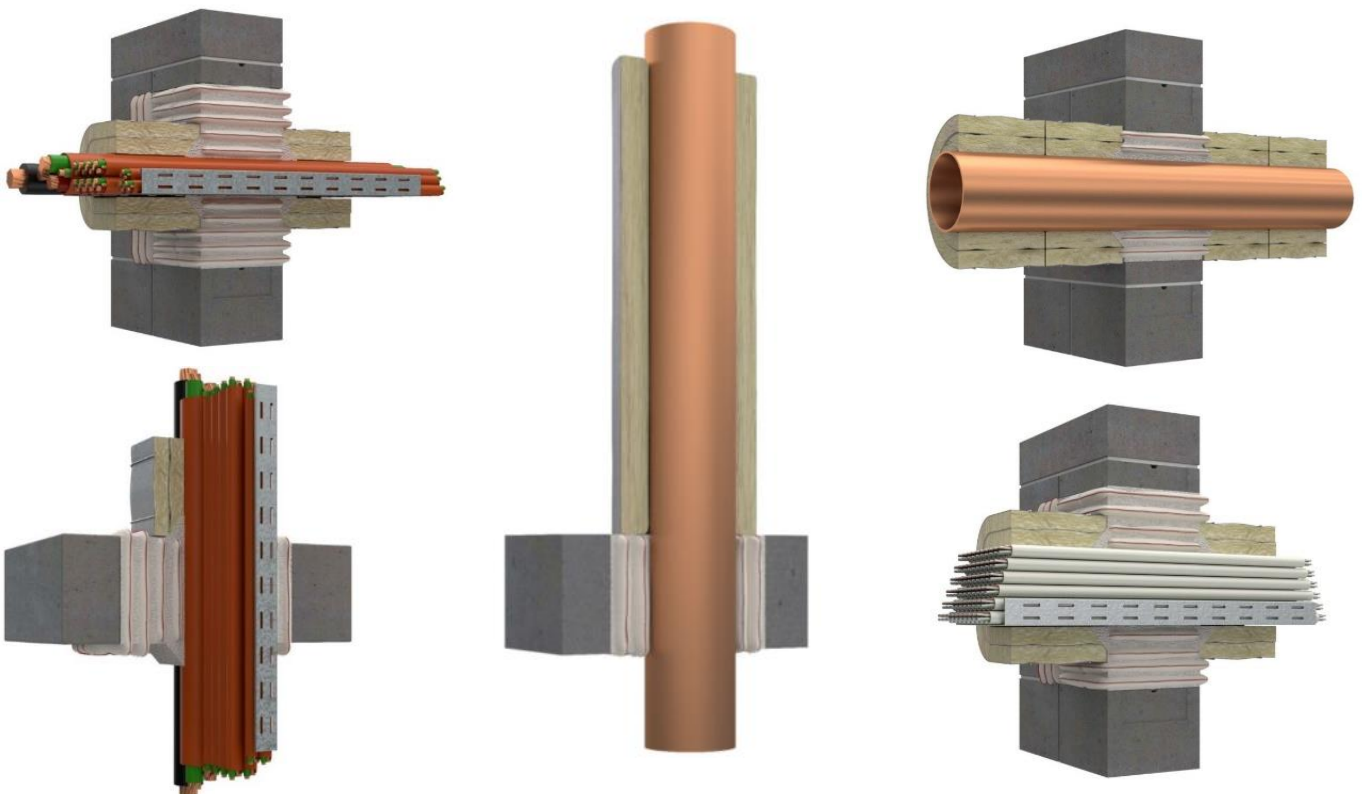
Ensure that you read and understand the appropriate certification and how it relates to your specific construction details, and ensure you seek acceptance from the Certifying Authority or compliance inspector before installation.

Ensure your installation is carried out in accordance with the test certification, manufacturer's instructions, and in accordance with the relevant local building regulations, National Construction Code or Building Code.

For updates on the range of BOSS Fire® certification please contact BOSS Technical Services. +612 9531 8591 OR info@bossfire.com.au

BOSS FIRE SYSTEM MATRIX

For specific summary information on the approved systems relevant to FirePillows-240™ please refer to the **BOSS Fire System Matrix**. The **BOSS Fire System Matrix** is a filterable summary document containing information to help select the appropriate system relevant to your building application. Associated Test and Assessment Reports are also available for download from the Resources page at bossfire.com.au/resources.



STORAGE

Store in a cool dry, well ventilated area off the ground and palletised. Store in original packaging.

HEALTH AND SAFETY

To learn more about the safe handling of FirePillows-240™ see the Safety Data Sheet available at bossfire.com.au

IS THIS PUBLICATION CURRENT?

This document may be superseded by new versions. If you are unsure of whether or not this document is a current publication, please call us on +61 2 9531 8591 to confirm.

LIMITATION

BOSS Passive Fire Pty Ltd has provided the above technical information in good faith and to the best of its knowledge. This information was deemed to be correct at the time of publication. Should any data come to BOSS Passive Fire's attention relating to the fire resistance or performance of the product described BOSS Passive Fire reserve the right to amend this report.

BOSS Passive Fire strive to constantly improve and develop products so this information may change without notice.

The information contained herein has been developed as a guide only and it does not constitute a guarantee of compliance of all applications. Each project and/or application may have specific requirements and you should investigate these carefully. Ensure that you have read and understood the appropriate certification relative to your needs, and ensure you seek acceptance from the Certifying Authority or compliance inspector before installation. For updates on the range of BOSS Fire® certification please contact BOSS Technical Services on +61 2 9531 8591.

FURTHER INFORMATION

For additional technical information on the performance of BOSS FirePillows-240™, other BOSS Fire® products or any other BOSS Fire® related information please contact us on:

AU:

1300 502 677

Bossfire.com.au

NZ:

0800 502 677

Bossfire.co.nz

Admin:

+612 9531 8591

info@bossfire.com.au

Unit 1, 16 Atkinson Rd Taren Point NSW 2229 AUSTRALIA