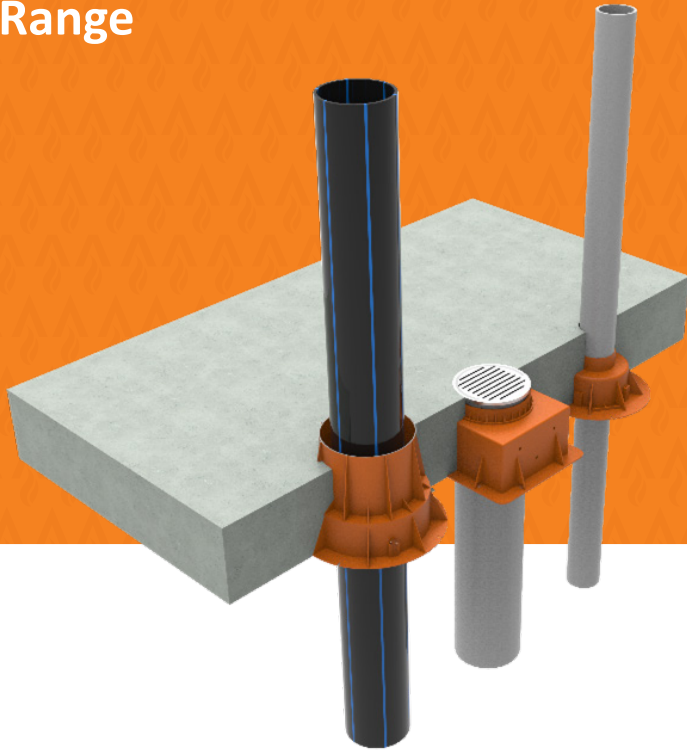


FyreCOLLAR Cast-In Range

Trafalgar Australian Made fire collars range provide a full range of cast-in fire stopping solutions for use in both stack pipe and floor waste applications, with approvals up to 4 hours across a huge range of common pipe types and sizes.



KEY FEATURES



- Robust, moisture resistant polypropylene casing
- Galvanized steel components
- Simple install
- High and low top options
- Spring loaded floor waste
- Tested to AS1530.4-2014 and AS4072.1
- FyrePLATE adaptor for steel decks

APPLICATIONS



- Cast into the slab during concrete pour.
- Stack and floor waste testing covers a wide range of pipes with fire elbows, S-bends and 4-way risers.
- Numerous plastic pipes
- Copper and steel pipes (with UniGUARD™)
- Insulated pair coil bundles
- Timber or steel deck slabs

TRADES



TABLE OF CONTENTS

Click
page title to go to
Page



Section	Page	
System Selector	3	
Plastic Stack Pipe Applications	4	
Metal Stack Pipe Applications	5	
Floor Waste Applications	6	
Compliance	7	
Specifications	8	
FRL Tables	Fire Resistance Level	9
	FyreCOLLAR Floor Waste Approvals	10
	FyreCOLLAR Cast-In Approvals - Stack Pipes	11
	FyreCOLLAR Cast-In Approvals - Other Services	12
	Steel Deck- Adapter Plate	13
Installation	High Collars- Steel Formwork	14
	High Collars- Timber Formwork	15
	Low Collars	16
	Floor Waste Collars	17
Upgrade Works	18	
System Range	19	
FAQ	20	
Technical Drawings	FyreCOLLAR Floor Waste - FW 100 Low Cast-In	21
	FyreCOLLAR Floor Waste - FW 100 High Cast-In	22
	FyreCOLLAR Floor Waste - Typical Installation	23
	FyreCOLLAR Cast-in - High Overview	24
	FyreCOLLAR Cast-in- High	25-27
	FyreCOLLAR Cast-in- Low Overview	28
	FyreCOLLAR Cast-in - Low	29

SYSTEM SELECTOR



PLUMBING APPLICATIONS IN ACCORDANCE WITH AS1530.4 - 2014

STACK
 (continuous pipe) AS4072.1
 Clause 4.6.1- e.g:

- Kitchen sink
- Basin
- Laundry sink
- Bath
- Toilet (pan)
- Plumbing stack

FLOOR WASTE
 AS4072.1 Clause 4.6.2 - e.g:

- Trap with grille at floor level

SLABS < 250mm

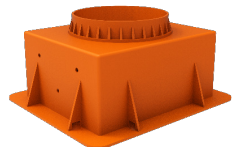
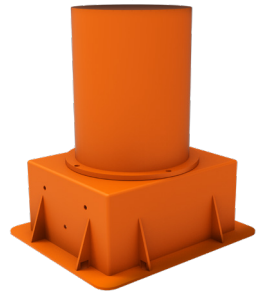
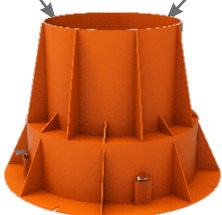
SLABS > 120mm

SLABS < 250mm

SLABS > 150mm

INSULATED COPPER PIPE

METAL & PLASTIC PIPE



CIFIC - H HIGHTOP

CIFIC - L LOW TOP

CIFW HIGH TOP

CIFW LOW TOP

FyreCOLLAR CAST-IN

Key Features

- Plastic pipes
- Socket inside fire collar
- Copper & steel pipes
- Mixed services

FyreCOLLAR FLOOR WASTE

Key Features

- P trap
- 4 way riser
- Socket inside fire collar
- Pipe material: PVC, HDPE, dB Blue Raupiano

PLASTIC STACK PIPE APPLICATIONS

STACK PIPES

Stack pipe applications are those where the pipe runs continuously through the slab (drain, waste and vent, DWV).



FyreCOLLAR CAST-IN - LOW

The low cast-in fire collars are suitable for all thickness slabs. These low-profile collars are cast in place with a section of pipe installed before the concrete is poured, for pipework to be connected to once set.

The stack collars are available in set sizes to suit the pipe size:

- 40mm
- 50mm
- 65mm
- 80mm
- 100mm

FyreCOLLAR CAST-IN



The FyreCOLLAR Cast-In are suitable for drain, waste and vent pipes. For floor waste applications, refer to the FyreCOLLAR Floor Waste on [page 6](#).

FyreCOLLAR CAST-IN - HIGH

These collars are designed for use in concrete floor slabs up to 250mm thick, where the head of the high cast-in fire collar extends above the surface of the floor so that sections of pipe are not needed as part of the installation process. Once the concrete is set, simply run your plastic or metal pipes through the collars which are fitted with a rubber gasket to prevent smoke leakage through the penetration.

The high cast-in fire collars are available in three sizes each suitable for a range of pipe sizes:

- 40mm- 65mm
- 80mm- 100mm

FyreCOLLAR CAST-IN



METAL STACK PIPE APPLICATIONS

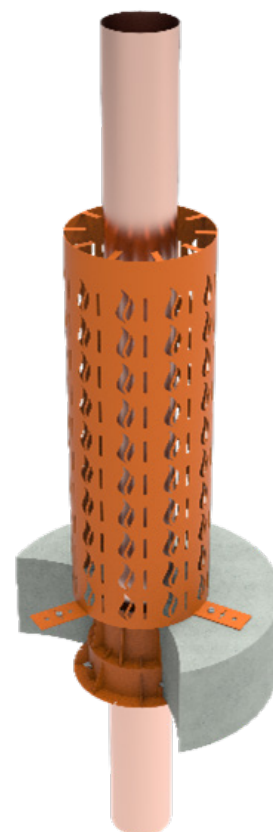
NOW APPROVED FOR METAL PIPES WITH TWRAP™ AND UNIGUARD™

The FyreCOLLAR Cast-In High range are independently fire tested for copper and steel pipes up to 100mm diameter, used in conjunction with the UniGUARD™ (or TWRAP™ systems) installed on the top side of the slab to protect against heat transfer through the metal pipe.

The high cast-in fire collars are available in three sizes each suitable for a range of pipe sizes:

- **40-65mm** for 40mm, 50mm and 65mm pipes
- **80-100mm** for 80mm and 100mm pipes

Refer to the approvals section for details, or contact technical@tgroup.com.au

NOW APPROVED FOR PAIR COIL BUNDLES

The FyreCOLLAR Cast-In High range are also fire tested for up to 2 x pair coil bundles with FR insulation and associated cables. This covers -/180/90 wrap free, refer to the approvals in this manual for further details or contact technical@tgroup.com.au.

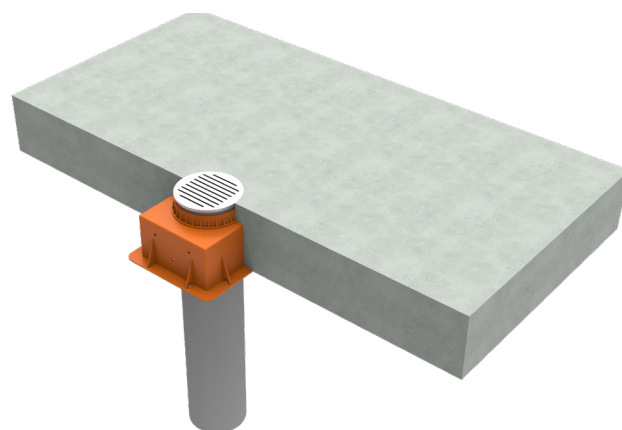



FLOOR WASTE APPLICATIONS

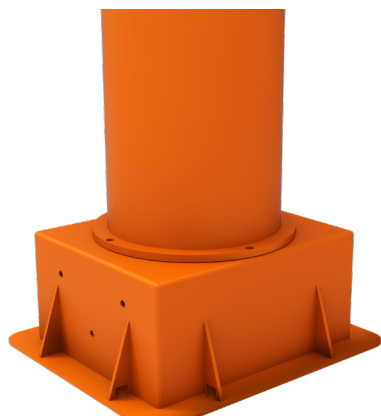
FLOOR WASTE

Floor waste applications are not continuous plastic pipes, this application has a grille finish at the floor level above. Standard intumescent stack collars will not close off the penetration quickly enough to prevent early fire spread!

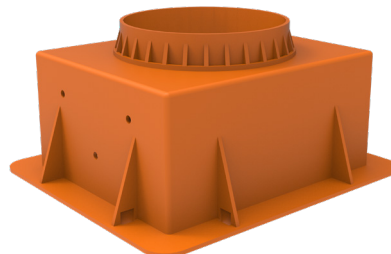
Trafalgar's FyreCOLLAR Floor Waste is fitted with a spring loaded mechanical system that will shut the plastic pipe early when exposed to fire conditions, to effectively close off the penetration whilst the intumescent material swells to close off any remaining gaps, stopping the spread of fire in this unique application.

HIGH

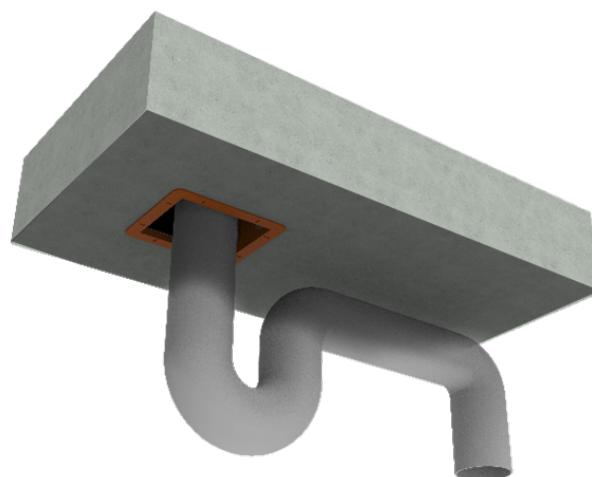
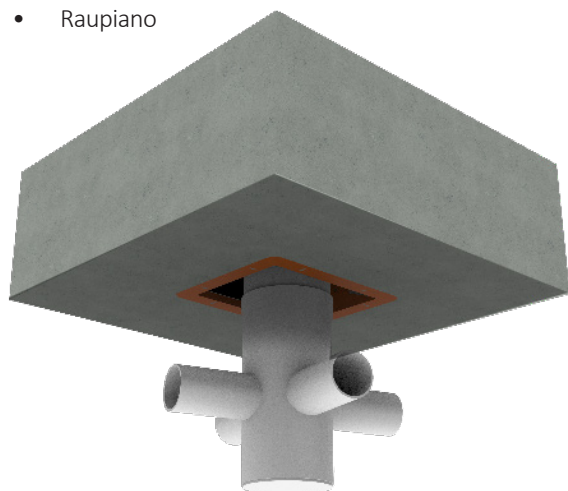


LOW



The FyreCOLLAR Floor Waste is available in high and low cast and has been tested for a range of pipe materials connected to 4-way risers and P-traps directly underneath the slab for the following 100mm pipes:

- PVC
- HDPE
- D-Blue
- Raupiano



COMPLIANCE



COMPLIANCE WITH THE NATIONAL CONSTRUCTION CODE (NCC)

Fire testing of plastic pipes

The National Construction Code (NCC) requires all service penetrations be treated in accordance with section C3.15, which in turn calls for the entire penetration system to be fire tested identically to how it is intended to be installed on the building site, in accordance with AS1530.4-2014.

The key to this is that you are installing a system. That comprises of:

- The floor slab thickness
- The type and size of the pipe
- The connecting fittings if present
- Installed in the same configuration (**i.e. stack or floor waste**).

The tested system must achieve or maintain the FRL of the floor slab (separating element) that it is installed into.

It is important to note that floor waste applications require testing for this specific configuration, with all components such as puddle flanges and floor grates. Conversely, stack pipe testing is done with 2 meters of pipework installed above the slab.



ASSESSMENT REPORTS AND AS4072.1

The NCC clause C3.15 also allows for the registered testing authorities to write reports based off the AS1530.4 fire testing data that allow for small variations in accordance with AS4072.1 which has strict requirements for how much base-line data is needed before any variations can be written against plastic pipes.

Assessment reports are a handy way of summarising lots of test reports into one document for easy compliance, and the testing laboratories can allow for a range of different pipes sizes in-between the smallest and largest, if the full range of sizes has been tested with PVC pipes.

For a copy of the FyreCOLLAR Cast-In range test and assessment reports, contact Trafalgar Fire Technical Team at technical@tgroup.com.au or call 1800 888 714.

SPECIFICATIONS

HIGH

FyreCOLLAR CAST-IN



65mm
FyreCOLLAR
CISC-H40-65



100mm
FyreCOLLAR
CISC-H80-100

LOW



40mm
FyreCOLLAR
CISC-L40



50mm
FyreCOLLAR
CISC-L50



65mm
FyreCOLLAR
CISC-L65



80mm
FyreCOLLAR
CISC-L80



100mm
FyreCOLLAR
CISC-L100

FyreCOLLAR CAST-IN RANGE



Specification	Detail
Casting material	Injection molded, moisture resistant PP
Metal components	Galvanised or Stainless Steel
Intumescent	High grade expansion
Rubber seal/gasket	Included
Sizes – High Cast	To suit pipes 40-65, 80-100
Sizes – Low Cast	To suit pipes 40, 50, 65, 80 & 100mm
Dimensions	Refer to technical drawings on page 19-25

FyreCOLLAR FLOOR WASTE

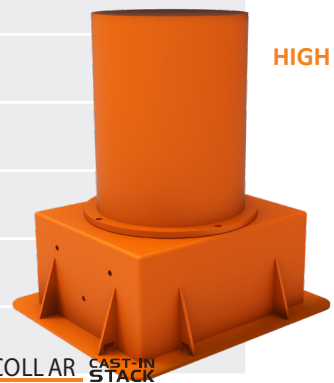
FyreCOLLAR FLOOR WASTE RANGE



Specification	Detail
Casting material	Injection molded, moisture resistant PP
Metal components/springs	Galvanised or Stainless Steel
Intumescent	High grade expansion
Rubber seal/gasket	Not required, tight fitting neck
Sizes – High	To suit 100mm pipes
Sizes – Low	To suit 100mm pipes
Dimensions	Refer to technical drawings on page 19-21 .



LOW



HIGH

FyreCOLLAR CAST-IN STACK

FIRE RESISTANCE LEVEL

FIRE RATING – HOW IS FIRE PERFORMANCE MEASURED?

An FRL (fire resistance level) is a handy way of summarising the performance of a building element. It consists of 3 numbers, all given in minutes:

FRL 240/240/240

(example)



Structural Adequacy

The ability of the building element to support the weight of adjacent building elements.

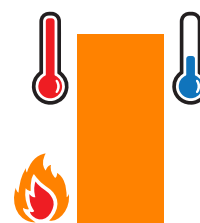
ie: a brick wall supporting a concrete floor slab above.



Integrity

The ability of an element to prevent the passage of flames and hot gasses.

ie: a plasterboard wall remaining intact and not allowing holes to form.



Insulation

The ability of an element to resist heat transfer from the exposed face to the unexposed face.

ie: a bundle of cables remaining below a set temperature limit on the unexposed side of the wall penetration system.

Penetrations are not required to have a Structural Adequacy rating and is usually expressed as a dash. For example, a penetration through a 4-hour load bearing wall would be written as -/240/240.

INTEGRITY

The FyreCOLLAR range system will achieve the integrity performance for up to 4 hours physically stopping the direct spread of fire, however the insulation performance of the penetration will be limited to concrete slab and conductivity of the services in the penetration.

INSULATION (TEMPERATURE RISE)

Heat transfer via conduction (or heat rise) is limited through cast-in collar systems. The concrete floor slab can absorb much of the heat, and plastic pipe services are not thermally conductive, reducing heat to transfer down the length of a service penetration and do not require additional wrapping or treatment for heat rise.

However, the FyreCOLLAR Cast-in- High is approved for some metallic services such as pair-coil and copper pipes. In these cases, additional treatment is needed to prevent heat rise. [UniGUARD™](#) or [TWRAP™](#) can be used to achieve the full 2 hours of insulation performance, refer to the tables below for specific details.

FLOOR WASTE PIPES



FyreCOLLAR FLOOR WASTE



Service Types*	Nominal size (mm)	Min Slab Thickness (mm)	FRL (up to) when installed with puddle flanges and metal floor grates*
PVC	100	1. Min. 150mm 2. Min. 175mm	1. -/180/180 2. -/240/240
HDPE	100		
Raupiano	110		
dBlue	110		

*For full FRL details on installation types, please refer to the FyreCOLLAR Floor Waste technical manual



Floor waste applications often have s-traps, p-traps, and 4-way risers often present close to or even within the fire collars. It is important to note that fittings may be present within the collar but for a lower FRL. FyreCOLLAR Floor Waste has been tested specifically for these applications, to ensure the broadest range of approvals to cover all common plumbing applications as per above images and approvals.

STACK PIPES

FyreCOLLAR CAST-IN HIGH AND LOW




Pipe type	Size (mm, nominal)	FyreCOLLAR Cast-In Size		Min slab thickness (mm)	FRL
		High Cast	Low Cast		
PVC/ UPVC*	40	CHC40-65	CLC-40	1. Min. 150mm 2. Min. 175mm	1.-/180/180 2.-/240/240
	50		CLC-50		
	65		CLC-65		
	80	CHC80-100	CLC-80		
	90		-		
	100		CLC-100		
HDPE	50	CHC40-65	CLC-50	1. Min. 150mm 2. Min. 175mm	1.-/180/180 2.-/240/240
	56				
	60		CLC-65		
	75	CHC80-100	-		
	90				
	100		CLC-100		

*PVC pipe sockets/elbows have been fire tested pushed up inside the collar housings for maximum clearance.

OTHER SERVICES

FyreCOLLAR CAST-IN HIGH APPROVALS



PAIR COIL

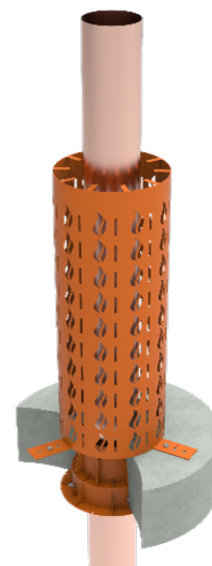
Service Types	Nominal size (mm)	Collar option	Min Slab Thickness (mm)	Insulation System	FRL (up to)
AC Service Bundle – 1 x Pair coil	9 & 19mm copper pipes with 19mm FR Insulation and associated cables	CHC 40-65	150mm or 175mm	300mm TWrap	-/180/120
AC Service Bundle – 2 x Pair coil	9 & 19mm copper pipes with 19mm FR Insulation and associated cables	CHC 80-100		-	-/180/90

METAL PIPES

Service Types	Nominal size (mm)	Min Slab Thickness (mm)	Insulation System	FRL (up to)
Copper Pipe (Type B)	DN 50	150mm or 175mm	TWRAP™ 300mm	-/240/120
	DN 100		UniGUARD™ 600mm	-/240/120

*For full FRL details on installation types, please refer to the UniGUARD Technical Manual

The UniGUARD™ is a 600mm tall insulation designed as a replacement for traditional wrap systems for large copper pipes (100 and 150mm). Where large lengths and sometimes multiple layers of insulation wrap are sometimes required for these pipes, the UniGUARD™ can be instead used as an easy substitute. It is shipped flat-packed for simple transport and storage and can be rolled and retrofit around the services on site. The above approval for cast-in collars is just one of many applications the UniGUARD™ is suitable for. Check the [UniGUARD™ Technical Manual](#) or contact technical@tgroup.com.au for more information.



STEEL DECK

ADAPTOR PLATE

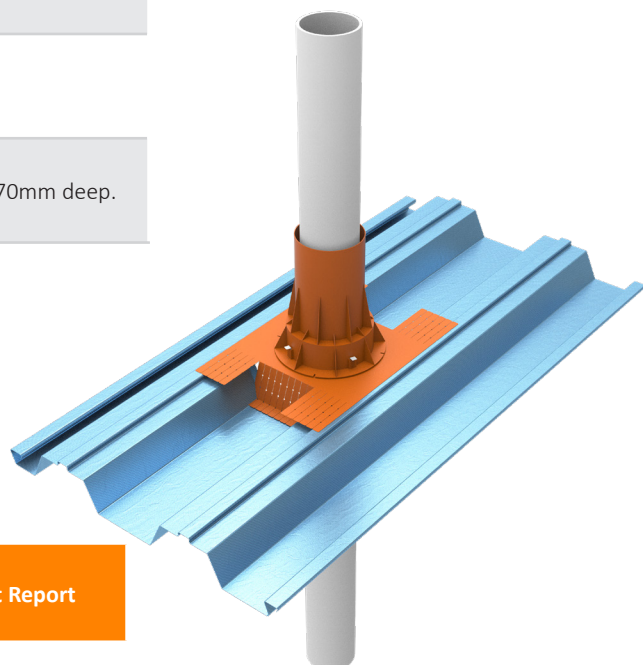


Traditionally, cast-in collars are nailed down to the formwork before the slab is poured, this can cause issues for permanent metal deck systems such as **Bondek, Truedek, Kingflor, etc.** There isn't enough flat space to mount a collar, and the location of the required service may fall on a tricky spot on the deck.

For these situations Trafalgar have a fire tested solution; the **FyrePLATE** is an adaptor for the FyreCOLLAR Cast-in High top system that will suit any steel deck system with a profile up to 70mm deep, and can locate the service in any required position in the deck.

Approval Specifications

Approved Collars	FyreCOLLAR Cast-in High Top
Approved Services	<ul style="list-style-type: none"> PVC pipes up to 100mm HDPE Pipes 100mm
Approved Steel Deck Types	Any deck with a profile up to 70mm deep.

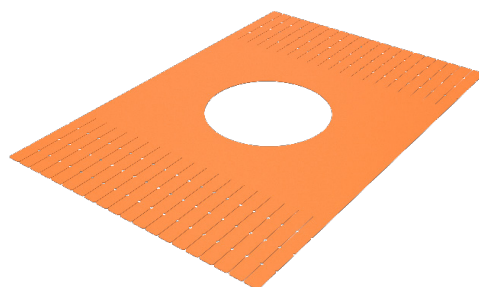


FIRE RESISTANCE LEVELS

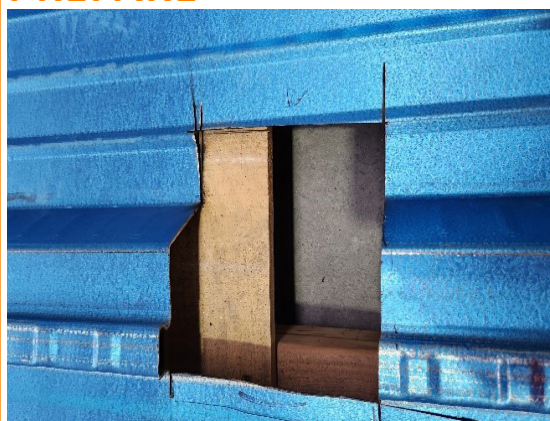
Service Types	Specification	Fire Rating	Test Report
PVC	Up to 100mm	-/180/180	FRT 220258
	40mm	-/180/180	
Up to 100mm HDPE	100mm	-/180/180	

INSTALLATION- STEEL FORMWORK

HIGH COLLARS- WITH FYREPLATE



PREPARE



Locate required service positioning and cut a square hole in the deck with 140-150mm sides.

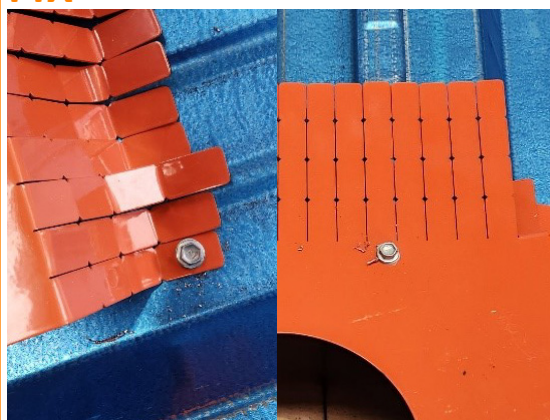
BEND AND FIT



Bend the FyrePLATE to suit the deck profile and fit it over the cut-out in the deck.

The FyrePLATE adaptor can be sofit in any location on any steel deck, with a profile up to 70mm tall.

FIX



Fix the FyrePLATE to the deck using 4 x tek screws and use reinforced foil tape to cover any gaps >5mm to reduce concrete ingress.

POUR SLAB



At this stage the system is ready for the concrete to be poured, the pipes can be run through the collar before or after this happens. Follow the installation steps in this manual for installation of the pipe.

INSTALLATION- TIMBER FORMWORK

HIGH COLLARS

PREPARE



Fix the collar in place to the form work ensuring appropriate separation. The collar flanges can be butting up against one another, but not overlapping.

POUR SLAB



Pour the concrete slab, ensuring the collars remain firmly in place.

The FyreCOLLAR Range is approved for use in BONDEK slabs. Simply cut away the section of BONDEK steel where the collar will sit before fitting the collar in place and pouring the slab.

OPTIONAL



If desired, the collar can be cut flush with the top side of the slab, otherwise it can be left as is (PVC pipes only). Install the pipe/service, ensuring it is approved for the required FRL, as listed in this manual on [pages 10-12](#).

SEAL



Once the slab is cured, connect the pipe/service, ensuring it is approved for the required FRL, as listed in this manual. Support as appropriate.

INSTALLATION

LOW COLLARS



Fix the collar in place to the form work ensuring 50mm separation from edge to edge between each collar.



To ensure concrete does not fill into the collars, install a pipe former to the collar.

Cast-in and Floor Waste Collars can be supplied as a High format, where there is no need to pre-install a section of pipe.



Pour the concrete slab, ensuring the collars remain firmly in place.

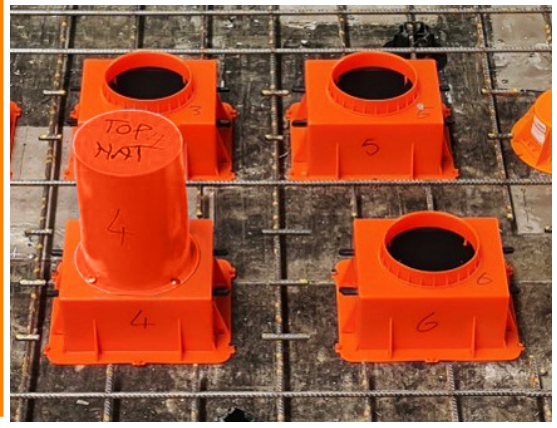


Once the slab is cured, connect the pipe/service, ensuring it is approved for the required FRL, as listed in this manual. Support as appropriate.

INSTALLATION

FLOOR WASTE COLLARS

PREPARE



Fix the collar in place to the form work ensuring 50mm separation from edge to edge between each collar.

INSERT PIPE



To ensure concrete does not fill into the collars, install a pipe former to the collar.

Cast-in and Floor Waste Collars can be supplied as a High format, where there is no need to pre-install a section of pipe.

POUR SLAB



Pour the concrete slab, ensuring the collars remain firmly in place.

SERVICES & SUPPORTS



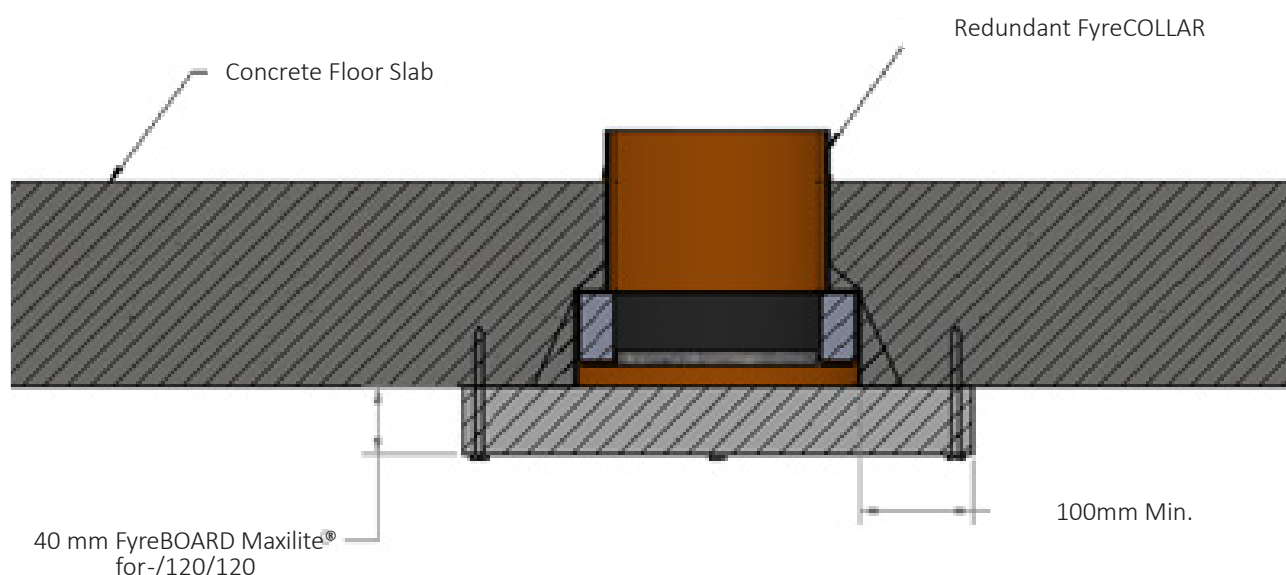
Once the slab is cured, the pipe formers can be gently tapped downwards to allow for connection of the pipe/service, ensuring it is approved for the required FRL, as listed in this manual.

UPGRADE WORKS

It is common on site to come across services that are not approved for the collar, the wrong size for the collar, or redundant collars that don't have any service running through it. Naturally in these scenarios, the FRL of the floor slab still needs to be maintained. Trafalgar Fire have a range of solutions for these instances.

1 - REDUNDANT COLLAR

For redundant collars, simply fix [FyreBOARD Maxilite®](#) to either the top or bottom side of the slab to the below specification. This method works for any size or brand of collar, as the FyreBOARD Maxilite® board blanks off the opening.



2 - WRONG SERVICE

Where a non-compliant service is installed into a cast-in fire collar, a retro-fit solution must now be put in place to maintain the FRL of the barrier. Refer to the below table for a summary of retrofit solutions for common services.

Non-Compliant Service	Retro-fit Fire Stopping	Reference
Plastic Service (incorrect size for the collar)	60mm FyreBOARD Maxilite® to the underside of the slab and a retro-fit FyreCOLLAR	FyreCOLLAR Technical Manual
Electrical Cable Bundle	60mm FyreBOARD Maxilite® to the top side of the slab, FyreFLEX® sealant and TWRAP™	FyreFLEX® Sealant Technical Manual for Electricians
Copper or Steel Pipe (DN100 only)	Seal pipe with FyreFLEX® sealant on the top side (10mm backfill) and install a UniGUARD™ to the top side	UniGUARD™ Technical Manual
Copper or Steel Pipe (all other sizes)	60mm FyreBOARD Maxilite® on the top side, FyreFLEX® sealant and TWRAP™	FyreFLEX® Sealant Technical Manual for Plumbers

For any other service types, contact technical@tgroup.com.au for the best way to fire rate the penetration.

SYSTEM RANGE

HIGH



65mm
FyreCOLLAR
CISC-H40-65

100mm
FyreCOLLAR
CISC-H80-100



FyreCOLLAR CAST-IN

Item Number	Description	Min Order Qty	Pallet QTY
FyreCOLLAR CISC-H40-65	FyreCOLLAR Cast-In High 40-65mm	1	-
FyreCOLLAR CISC-H80-100	FyreCOLLAR Cast-In High 80-100mm	1	-

LOW



40mm
FyreCOLLAR
CISC-L40

50mm
FyreCOLLAR
CISC-L50

65mm
FyreCOLLAR
CISC-L65

80mm
FyreCOLLAR
CISC-L80

100mm
FyreCOLLAR
CISC-L100



FyreCOLLAR CAST-IN

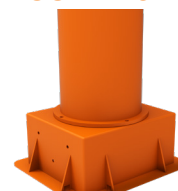
Item Number	Description	Min Order Qty	Pallet QTY
FyreCOLLAR CISC-L40	FyreCOLLAR Cast-In Low 40mm	1	-
FyreCOLLAR CISC-L50	FyreCOLLAR Cast-In Low 50mm	1	-
FyreCOLLAR CISC-L65	FyreCOLLAR Cast-In Low 65mm	1	-
FyreCOLLAR CISC-L80	FyreCOLLAR Cast-In Low 80mm	1	-
FyreCOLLAR CISC-L100	FyreCOLLAR Cast-In Low 100mm	1	-

FLOOR WASTE

Low 100mm
FyreCOLLAR
CIFWC-100



High 100mm
FyreCOLLAR
CIFWC-H100



FyreCOLLAR FLOOR WASTE

Item Number	Description	Min Order Qty	Pallet QTY
FyreCOLLAR CIFWC-100	FyreCOLLAR Floor Waste 100mm	1	-
FyreCOLLAR CIFWC-H100	FyreCOLLAR Floor Waste High 100mm	1	-



SYSTEM COMPONENTS

Item Number	Description	Min Order Qty	Pallet QTY
UniGUARD	600 x 690 x 0.6mm Powder Coated Orange	1	-
FyrePLATE		1	-
TWRAP 300	300mm wide, 25mm thick blanket	7620mm long roll	24
FyreFLEX 600W FyreFLEX 600G	FyreFLEX® Sealant Sausage 600ml White or Grey	1	1040

FAQ

Q Can I backfill a redundant (unused) FyreCOLLAR Cast-In with concrete to maintain the FRL?

A No, this runs the risk of the collar plastic melting in a fire and the back-filled concrete slipping out. [FyreBOARD Maxilite®](#) can be used, refer to [page 16](#).

Q Can I use a bigger collar for a smaller pipe?

A Collars can cover a range of sizes as specified on [page 17](#). Otherwise, the pipe must be the correct size per the approvals tables in this manual. If you have already run a smaller pipe than what is approved, refer to [page 16](#).

Q Why would you use low cast over a high cast collar, or vice versa?

A The advantage of the high-cast collar is that no pipe formers need to be used when pouring the slab. This is required for the low-cast collar however it is sometimes preferable to use a low-profile collar.

Q How far apart do the cast-in collars have to be? Can I overlap the flanges?

A The collar flanges must be at least 40mm away from other Trafalgar Cast-in collars, or 200mm away from other fire stopping systems.

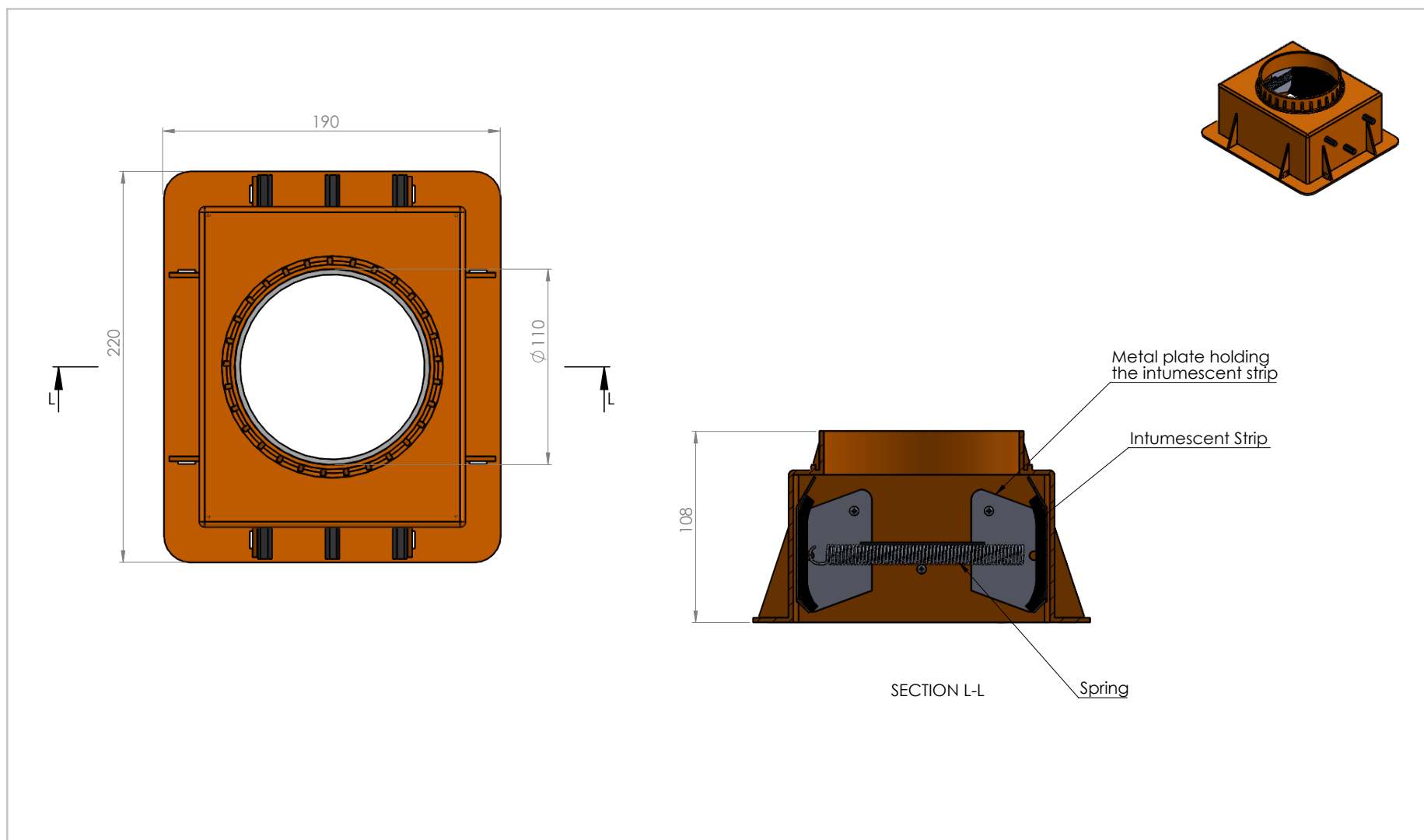
SOCIAL MEDIA




Linked 

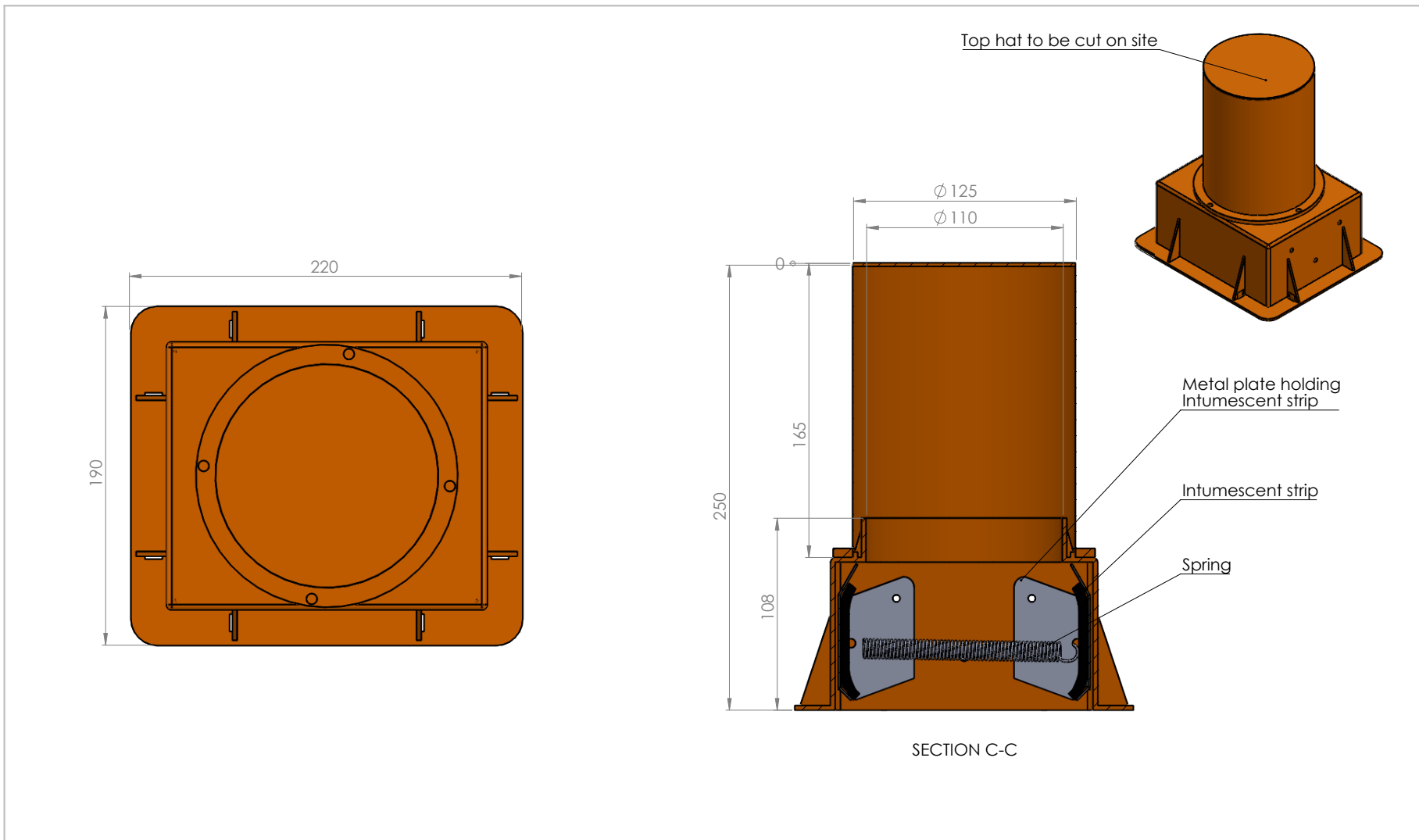
 YouTube

Click here to go back to Contents



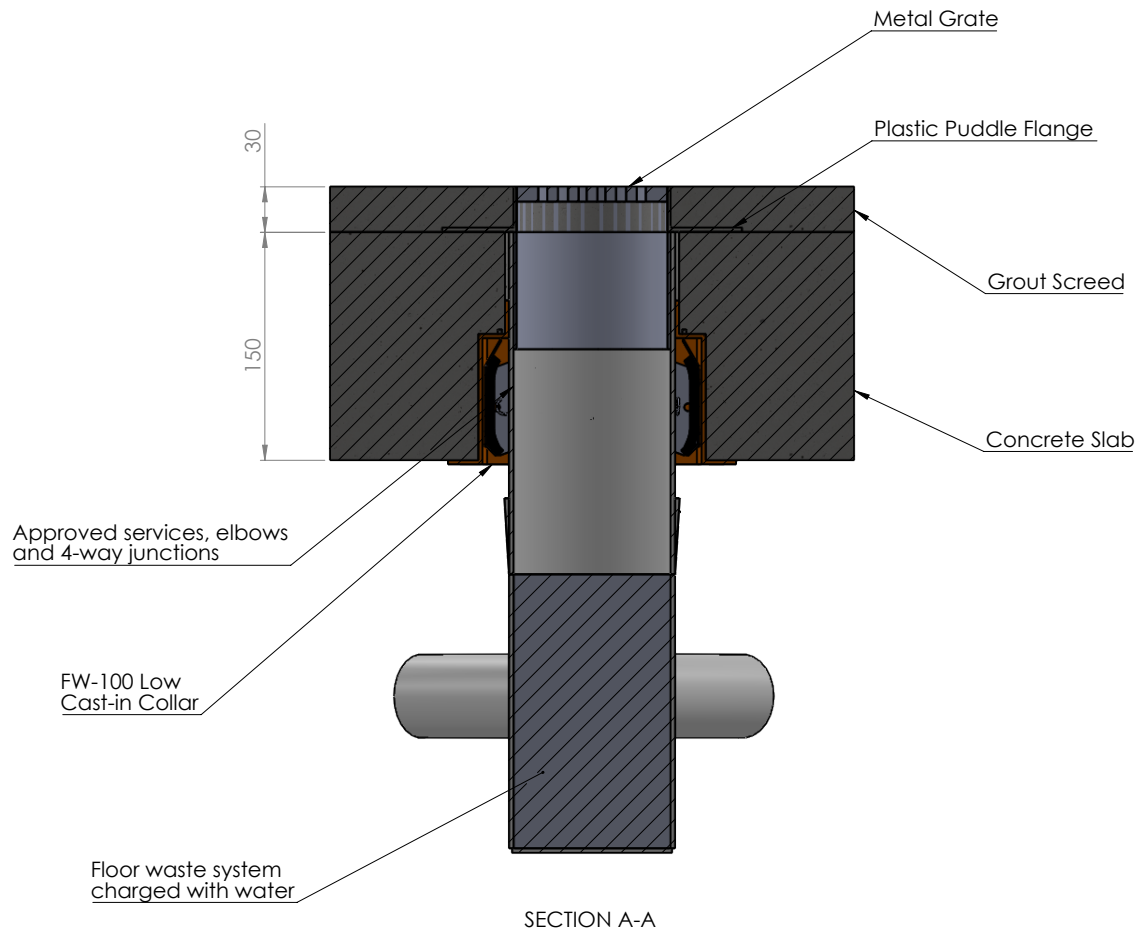
Drawing Name: FW 100 Low Cast-in Collar				Test Standard: AS1530.4	Codes:	Revision:	Date:	No.:	NOTICE:
Project Title: FyreCOLLAR Floor Waste				Fire resistance level:	Drawn By: RK	<small>NOTE: ALL DIMENSIONS ARE IN MILLIMETRES (mm)</small>			
Drawing No. : 1	Sheet: 1 of 2	Date: 14/07/2021	Scale: NTS	Based on Report No.:	Checked By: JH	<input type="checkbox"/> STANDARD DRAWING	 TRAFALGAR FIRE <small>Trafalgar Head Office: PO BOX 545 Chester Hill NSW 2162 T: 1800 888 714 F: 1800 201 500 E: technical@tgroup.com.au W: www.tfire.com.au</small>		
						<input type="checkbox"/> PROJECT DRAWING			

Click here to go back to Contents

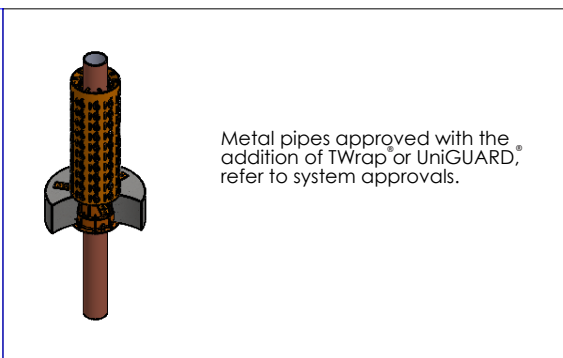
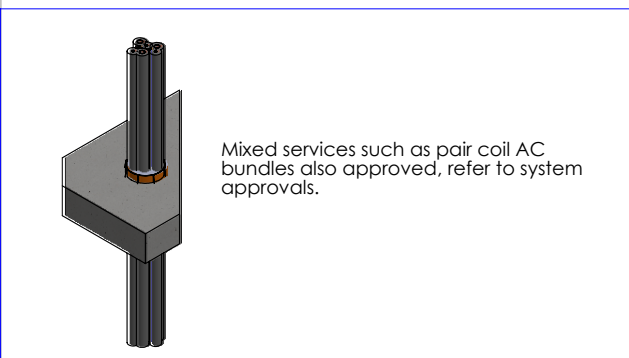
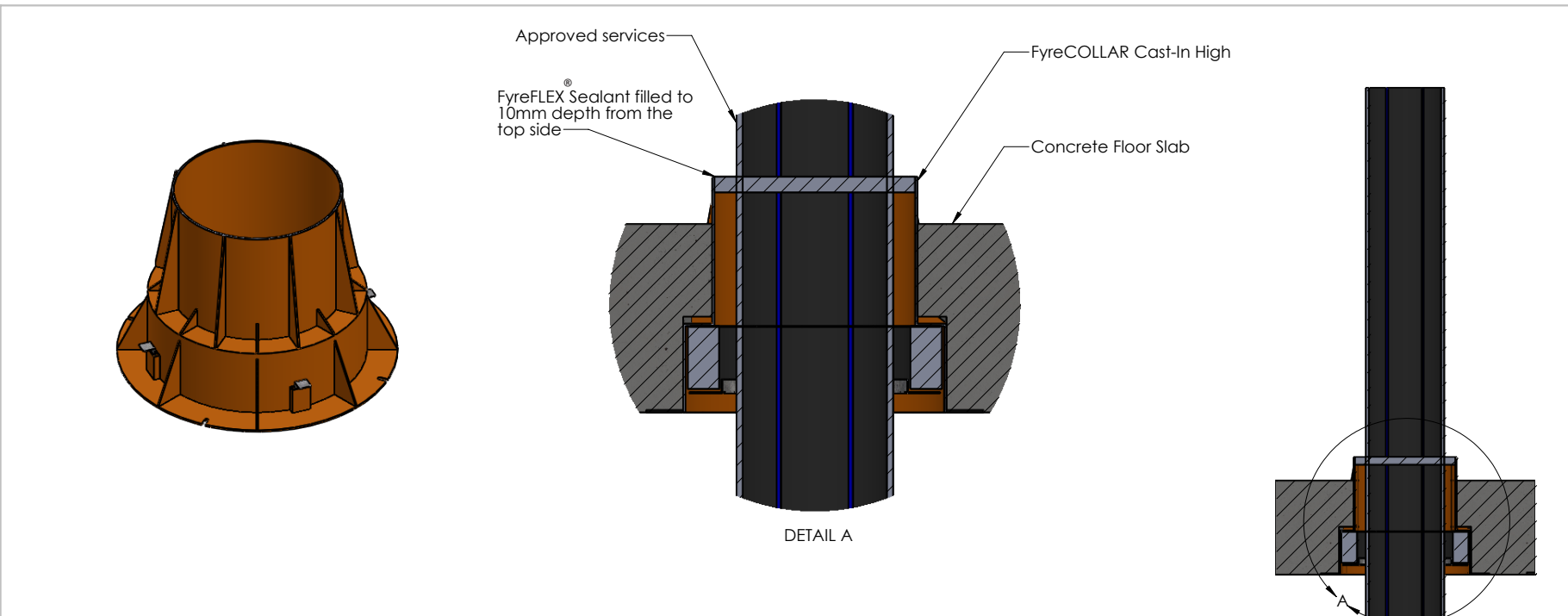


Drawing Name: FW 100 High Cast-in collar			Test Standard: AS1530.4	Codes:	Revision:	Date:	No.:	NOTICE:
Project Title: FyreCOLLAR Floor Waste			Fire resistance level:	Drawn By: IA	<small>NOTE: ALL DIMENSIONS ARE IN MILLIMETRES (mm)</small>			
Drawing No. : 1	Sheet: 1 of 1	Date: 13/08/2021	Scale: NTS	Based on Report No.:	Checked By: JH	<input type="checkbox"/> STANDARD DRAWING <input type="checkbox"/> PROJECT DRAWING		TRAFALGAR FIRE <small>Trafalgar Head Office:</small> PO BOX 545 Chester Hill NSW 2162 T: 1800 888 714 F: 1800 201 500 E: technical@group.com.au W: www.tfire.com.au

Click here to go back to Contents



Drawing Name: Typical Installation			Test Standard: AS1530.4	Codes:	Revision:	Date:	No.:	NOTICE:
Project Title: FyreCOLLAR Floor Waste			Fire resistance level:	Drawn By: RK	<small>NOTE: ALL DIMENSIONS ARE IN MILLIMETRES (mm).</small>			
Drawing No. : 2	Sheet: 2 of 2	Date: 14/07/2021	Scale: NTS	Based on Report No.:	Checked By: JH	<input type="checkbox"/> STANDARD DRAWING <input type="checkbox"/> PROJECT DRAWING		TRAFALGAR FIRE <small>Trafalgar Head Office:</small> PO BOX 545 Chester Hill NSW 2162 T: 1800 888 714 F: 1800 201 500 E: technical@tgroup.com.au W: www.tfire.com.au

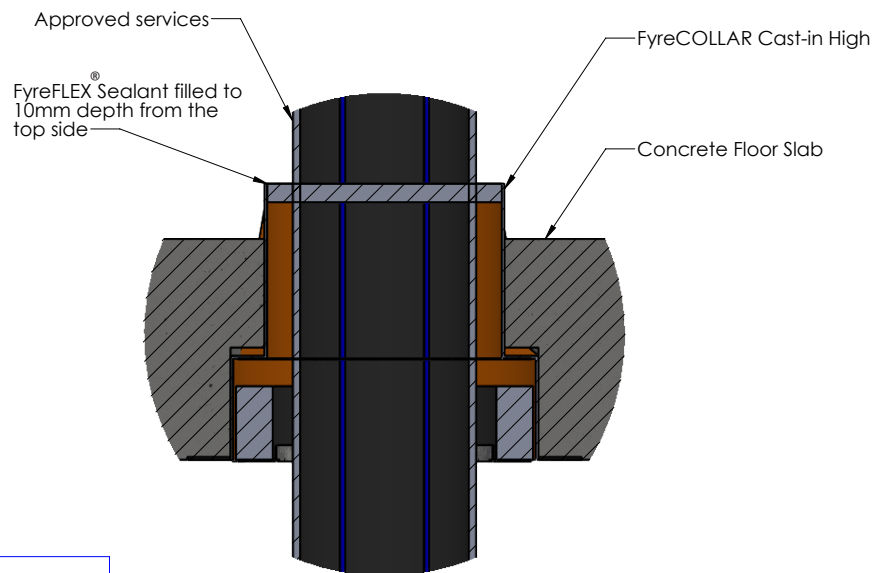
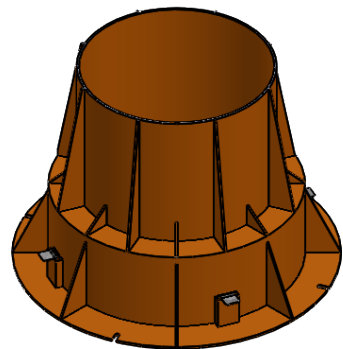


Drawing Name: FyreCOLLAR Cast-in High			Test Standard: AS1530.4	Codes:	Revision:	Date:	No.: NOTICE:
Project Title: FyreCOLLAR High Top			Fire resistance level:	Drawn By: SM	<small>NOTE: ALL DIMENSIONS ARE IN MILLIMETRES (mm)</small>		
Drawing No. : 2	Sheet: 2 of 4	Date: 14/01/2022	Scale: NTS	Based on Report No.:	Checked By: JH	<input type="checkbox"/> STANDARD DRAWING <input type="checkbox"/> PROJECT DRAWING	

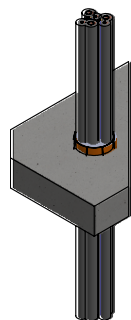
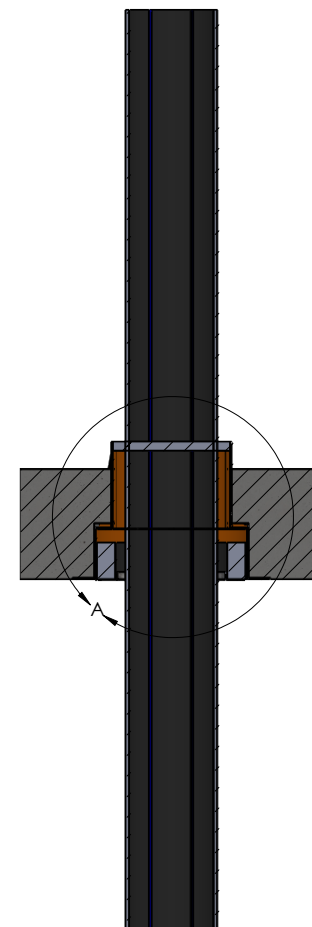
TRAFALGAR FIRE

Trafalgar Head Office:
 PO BOX 545
 Chester Hill NSW 2162
 T: 1800 888 714
 F: 1800 201 500
 E: technical@group.com.au
 W: www.tfire.com.au

Click here to go back to Contents



DETAIL A



Mixed services such as pair coil AC bundles also approved, refer to approvals section of the technical manual.

Drawing Name: FyreCOLLAR Cast-in High

Project Title: FyreCOLLAR Cast-in

Drawing No. :
2

Sheet:
2 of 4

Date:
14/07/2021

Scale:
NTS

Test Standard:
AS1530.4

Fire resistance level:

Based on Report No.:

Codes:

Drawn By:
SM

Checked By:
JH

Revision:

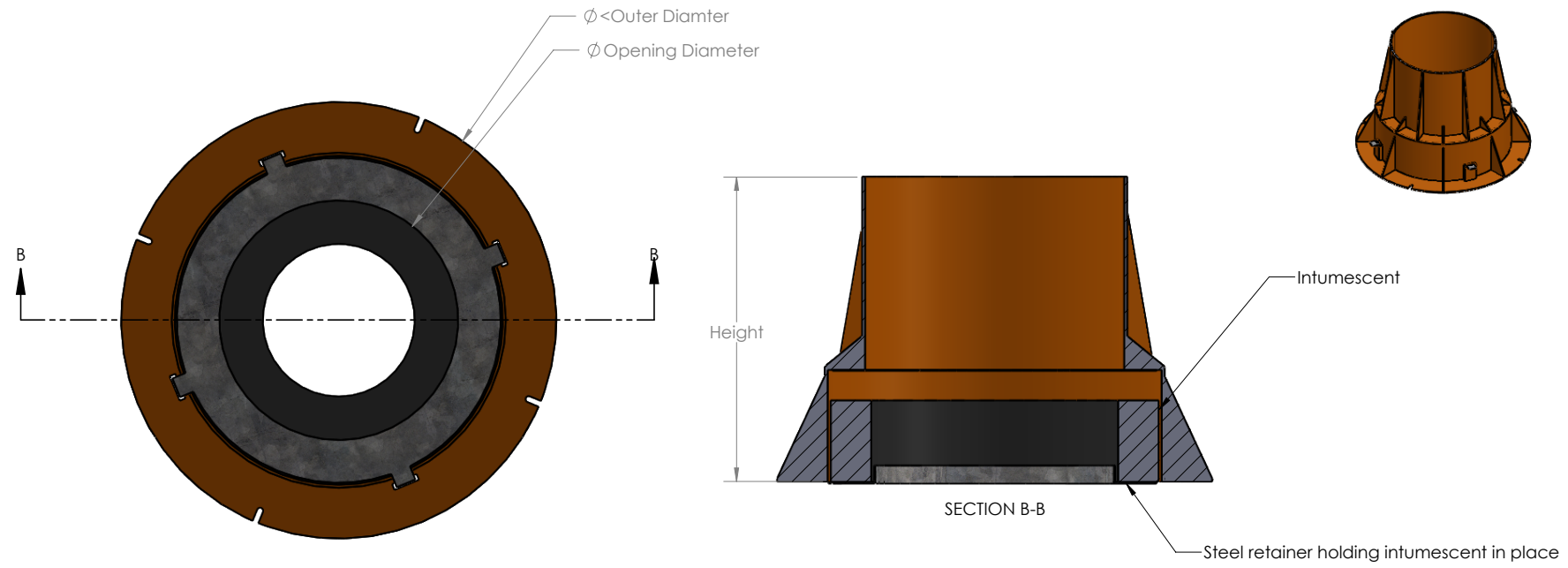


STANDARD DRAWING
 PROJECT DRAWING


NOTE: ALL DIMENSIONS ARE IN MILLIMETRES (mm)

Trafalgar Head Office:
 PO BOX 545
 Chester Hill NSW 2162
 T: 1800 888 714
 F: 1800 201 500
 E: technical@tgroup.com.au
 W: www.tfire.com.au

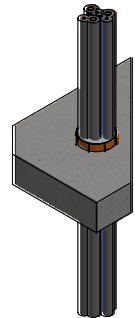
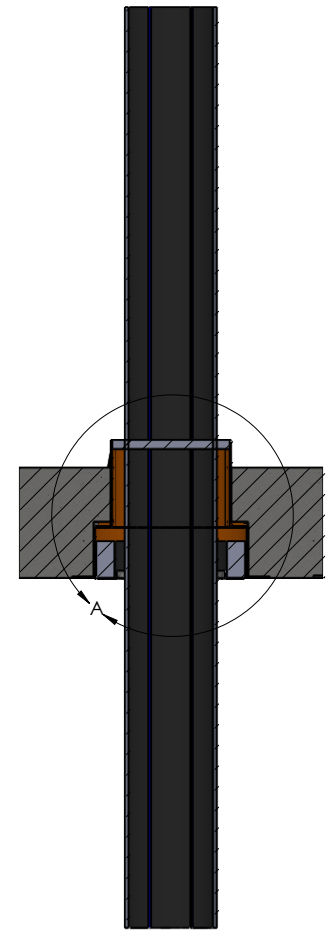
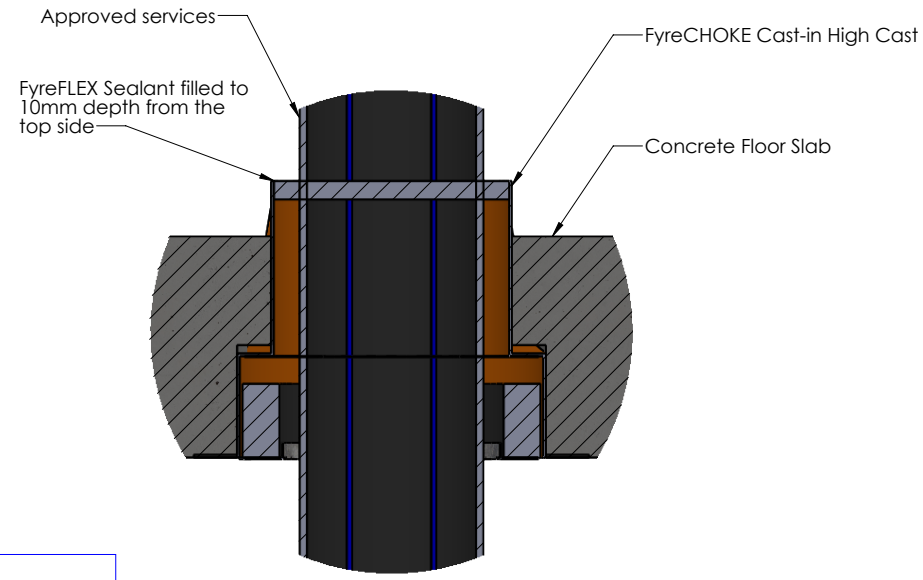
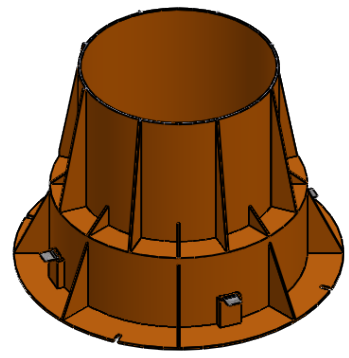
Click here to go back to Contents



Collar	Outer diameter	Inner Diameter	Height
CHC 40-65	162mm	107mm	250mm
CHC 80-100	215mm	160mm	250mm
CHC 150	305mm	235mm	250mm

Drawing Name: FyreCHOKe High Cast Overview				Test Standard: AS1530.4	Codes:	Revision:	Date:	No.:	NOTICE:
Project Title: FyreCHOKe Cast-in Drawings Package				Fire resistance level:	Drawn By: SM	<small>NOTE: ALL DIMENSIONS ARE IN MILLIMETRES (mm)</small>			
Drawing No. : 1	Sheet: 1 of 4	Date: 16/07/2021	Scale: NTS	Based on Report No.:	Checked By: JH	<input type="checkbox"/> STANDARD DRAWING	<input type="checkbox"/> PROJECT DRAWING	 <p><small>Trafalgar Head Office: PO BOX 545 Chester Hill NSW 2162 T: 1800 888 714 F: 1800 201 500 E: technical@tgroup.com.au W: www.tfire.com.au</small></p>	

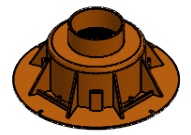
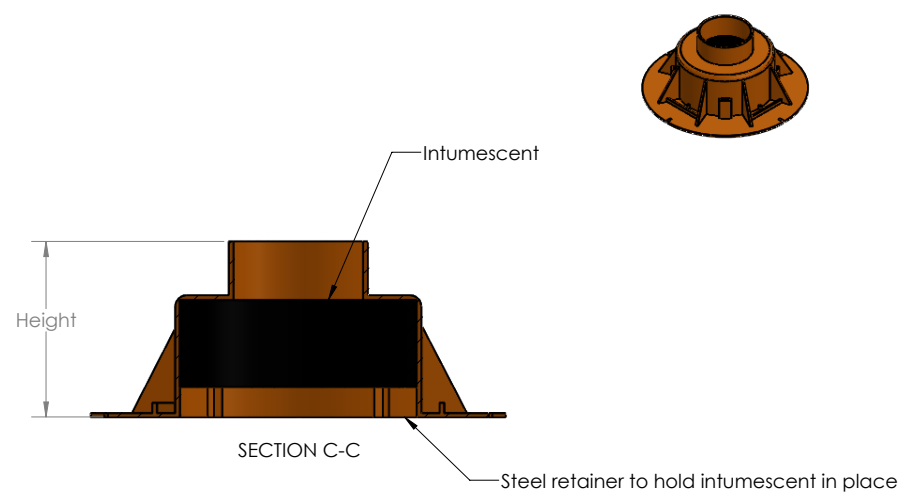
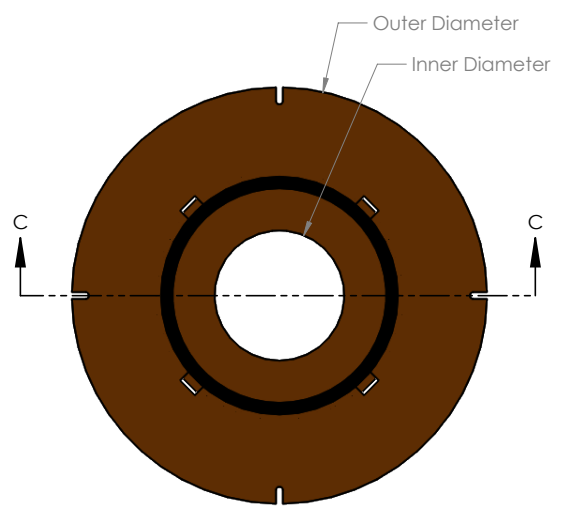
Click here to go back to Contents




Mixed services such as pair coil AC bundles also approved, refer to system approvals.

Drawing Name: FyreCHOKE Cast-in High Cast				Test Standard: AS1530.4	Codes:	Revision:	Date:	No.:	NOTICE:
Project Title: FyreCHOKE Cast-in Drawings Package				Fire resistance level:	Drawn By: SM	<small>NOTE: ALL DIMENSIONS ARE IN MILLIMETRES (mm).</small> TRAFALGAR FIRE <small>Trafalgar Head Office:</small> PO BOX 545 Chester Hill NSW 2162 T: 1800 888 714 F: 1800 201 500 E: technical@tgroup.com.au W: www.fire.com.au			
Drawing No. : 2	Sheet: 2 of 4	Date: 16/07/2021	Scale: NTS	Based on Report No.:	Checked By: JH				

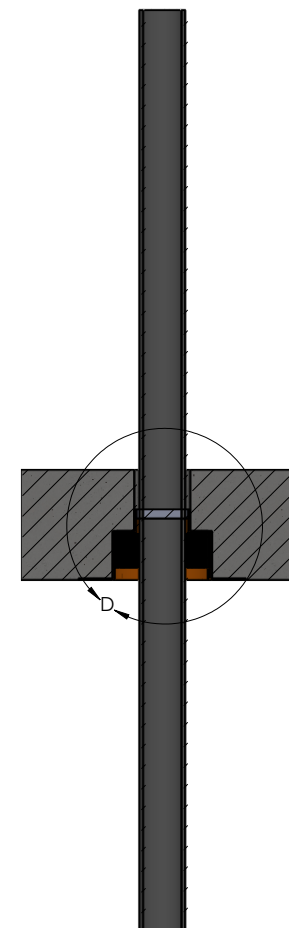
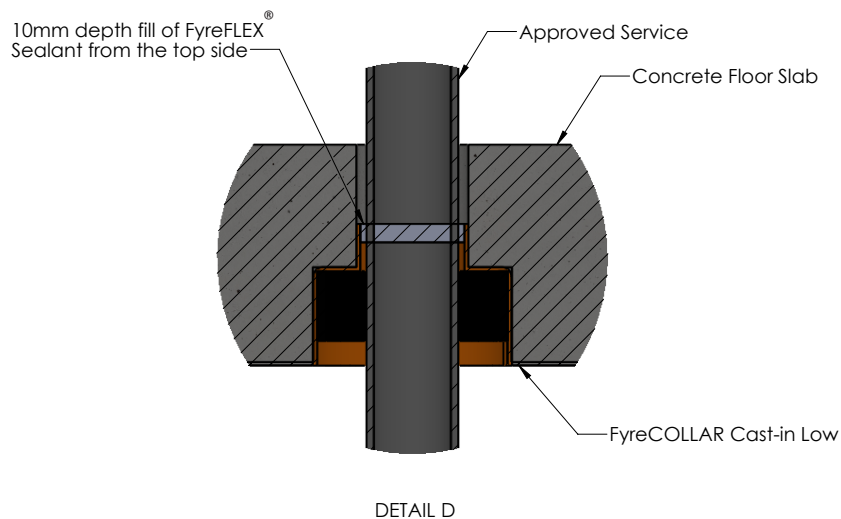
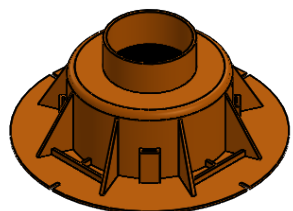
Click here to go back to Contents




Collar	Outer Diameter	Inner Diameter	Height
CLC40	162mm	107mm	80mm
CLC50	162mm	107mm	80mm
CLC65	162mm	107mm	80mm
CLC80	215mm	160mm	80mm
CLC100	215mm	160mm	80mm

Drawing Name: FyreCOLLAR Cast-In Low Overview				Test Standard: AS1530.4	Codes:	Revision:	Date:	No.:	NOTICE:
Project Title: FyreCOLLAR Cast-in				Fire resistance level:	Drawn By: SM	<small>NOTE: ALL DIMENSIONS ARE IN MILLIMETRES (mm)</small>			
Drawing No. : 3	Sheet: 3 of 4	Date: 14/07/2021	Scale: NTS	Based on Report No.:	Checked By: JH	<input type="checkbox"/> STANDARD DRAWING	 <p>TRAFALGAR FIRE</p> <p><small>Trafalgar Head Office: PO BOX 545 Chester Hill NSW 2162 T: 1800 888 714 F: 1800 201 500 E: technical@tgroup.com.au W: www.fire.com.au</small></p>		
						<input type="checkbox"/> PROJECT DRAWING			

Click here to go back to Contents



Drawing Name: FyreCOLLAR Cast-in Low				Test Standard: AS1530.4	Codes:	Revision:	Date:	No.:	NOTICE:
Project Title: FyreCOLLAR Cast-in				Fire resistance level:	Drawn By: SM	<small>NOTE: ALL DIMENSIONS ARE IN MILLIMETRES (mm)</small>			
Drawing No. : 4	Sheet: 4 of 4	Date: 14/07/2021	Scale: NTS	Based on Report No.:	Checked By: JH	<input type="checkbox"/> STANDARD DRAWING	 TRAFALGAR FIRE Trafalgar Head Office: PO BOX 545 Chester Hill NSW 2162 T: 1800 888 714 F: 1800 201 500 E: technical@tgroup.com.au W: www.tfire.com.au		
<input type="checkbox"/> PROJECT DRAWING									