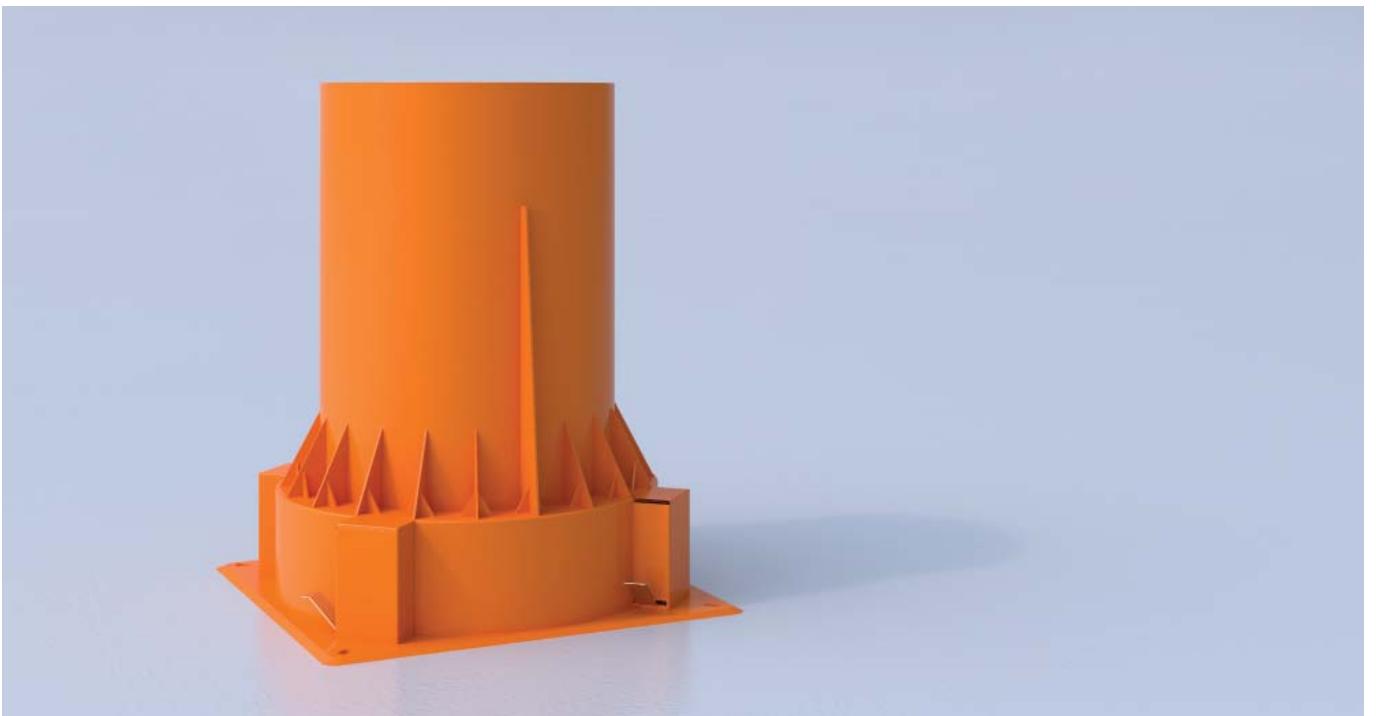


PROMASEAL® Services Seal Collar Various Services Penetration Seals



www.promat.com.au



PROMASEAL® Services Seal Collars are designed to be attached to formwork prior to pouring of the floor concrete. The collars have been tested with various building services, including electrical cables, lagged plastic pipes and/or combination of these within a single unit, through concrete/masonry floors in accordance with the criteria of AS 1530: Part 4: 2014 and AS 4072: Part 1: 2005 for up to 120 minute fire resistance within a minimum 120mm thick floor slab with an equal or greater fire resistance level.

Please check with local authorities to ensure that the particular services (penetrating elements) are included in the scope of approvals for the application of PROMASEAL® Services Seal Collars.

Installation method

Cast-in installation to concrete/masonry floors

PROMASEAL® Services Seal Collar should sit firmly in position while the concrete floor slab is poured. To install, first ensure the collar sits flat on the formwork before nailing the collar to the formwork through the slots in the collar flange.

After the installation of the services, backfill the PROMASEAL® Services Seal Collar with PROMASEAL® Mortar. If the services are multiple pair coils, paste of PROMASEAL® Graftex needs to be installed in and around the services before the backfill occurs.

Add mix to the full height of the floor slab. Ensure PROMASEAL® Mortar does not reach below the level of the black intumescent, as this may interfere with the closing action of the collar. This can be more easily achieved by slightly lifting the services after they are installed to ensure the rubber smoke seal projects upwards.

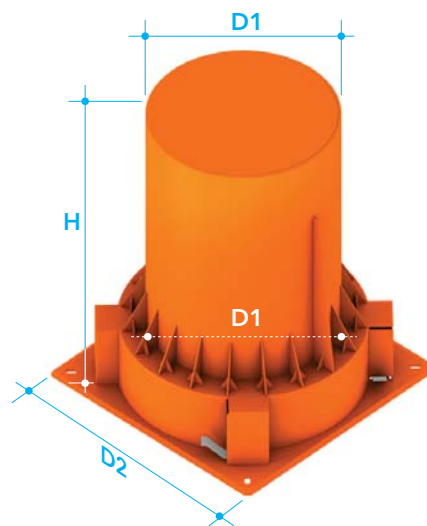
If the services are packed so tightly that backfill is not practical between the services, ensure that PROMASEAL®-A Acrylic Sealant or trowel grade PROMASEAL® Graftex is injected to the maximum depth in and around services, above the rubber smoke seal.

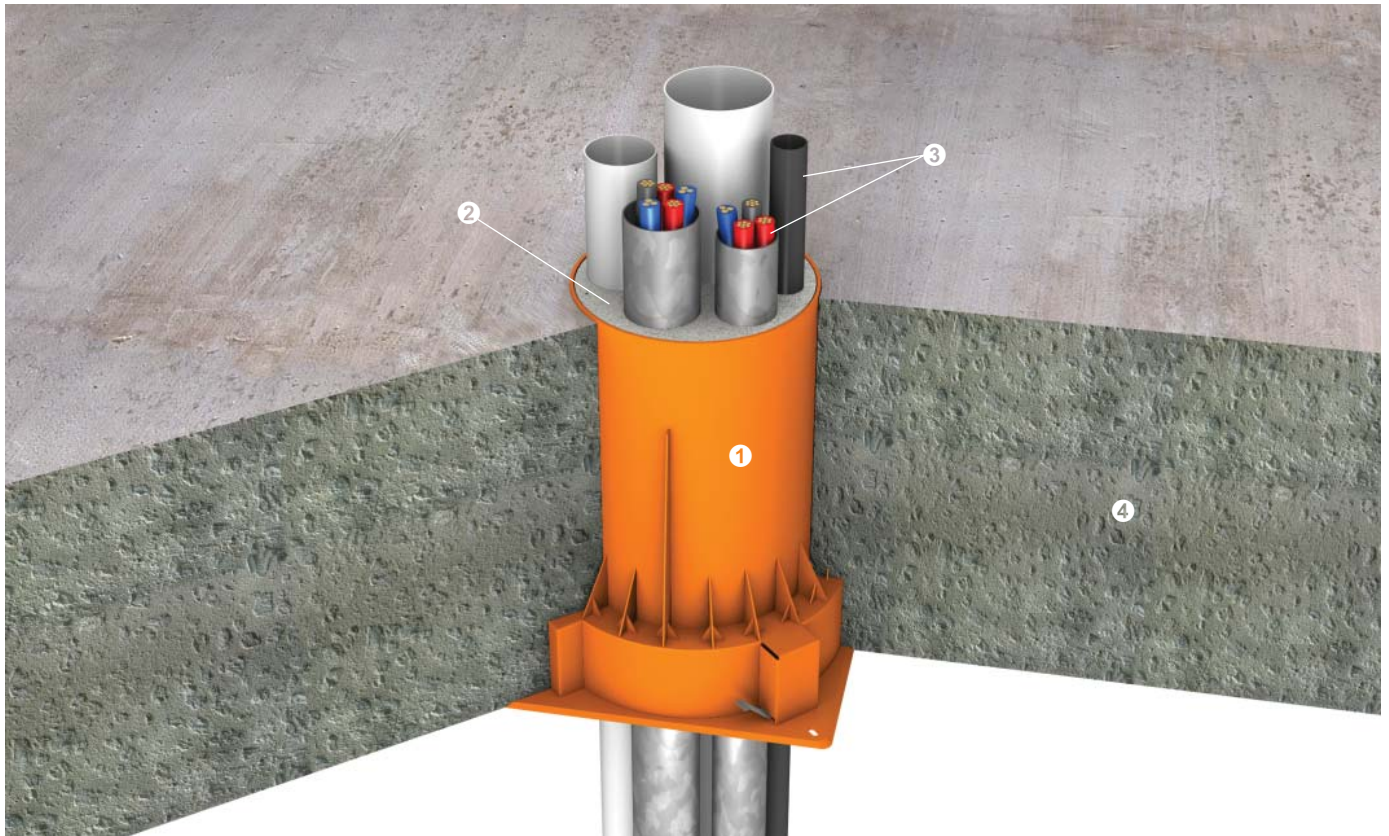
PROMASEAL® Services Seal Collar should leave a neat appearance after stripping and prevents the exposure of the steel reinforcement caused by coring. Before the installation of services, trim off any of the collar that extends above the slab and replace the cap at floor level to prevent any build up of debris inside the collar. It should be noted that the trimming of the collar above the slab is optional.

Dimension

Code no.	PSS 100	
Maximum services area	mm ²	8344*
Body	H mm	250
	D1 mm	140
Flange	D2 mm	198

*Allowance of 10mm for backfill around the services





Up to -/120/120 fire resistance in accordance with the requirements of AS 1530: Part 4: 2014 and/or AS 4072: Part 1: 2005; insulation criteria will vary depending on type and size of plastic pipes AND the type of penetrating elements

- ① PROMASEAL® Services Seal Collar
- ② PROMASEAL® Mortar
- ③ Various building services, e.g. electrical cables and/or lagged plastic pipes
- ④ Fire resistant concrete/masonry floors

Guide to allowance of services and occupational areas

Type of services	Maximum number of services allowed	Cross sectional area of services
19mm copper with 9mm thick Armaflex	4	1075mm ²
19mm copper with 13mm thick Armaflex	4	1590mm ²
19mm copper with 25mm thick Armaflex	2	3739mm ²
Twin core electrical cables 12mm +9mm	8	62mm ²
3-phase electrical cable in 13mm diameter	2	133mm ²
40mm uPVC	1	1590mm ²
20mm uPVC	3	314mm ²
¼ inch + ½ inch of pair coil	4	1369mm ²

Promat provides a wide range of systems for compartmentation, fire resistant air and cable ducts, structural steel protection, fire stopping and partitions. For assistance with any passive fire protection problems, contact the nearest Promat office.

Promat Australia Pty Ltd

South Australia office

1 Scotland Road
Mile End South, SA 5031
T 1800 PROMAT (776 628)
F +61 (8) 8352 1014

New South Wales office

Unit 1, 175 Briens Road
Northmead, NSW 2152
T 1800 PROMAT (776 628)
F +61 (2) 9630 0258

Victoria office

Suite 205, 198 Harbour Esplanade
Docklands, VIC 3008
T 1800 PROMAT (776 628)
F 1800 334 598

Queensland office

433 Logan Road
Stones Corner, QLD 4120
T 1800 011 376
F 1800 334 598

E mail@promat.com.au

www.promat.com.au

- The technical data provided in this publication is based on mean values prevalent at time of publication and is thus subject to fluctuation. It should not be regarded as a guarantee to system performance.
- All data contained herein conforms to and frequently surpasses generally accepted fire protection standards recognised by most professional fire science practitioners and regulatory authorities worldwide. The same general principle is equally applicable to all Promat products and systems. Promat has access to a considerable body of test authentication data and this can be provided on a complimentary basis upon request. It should be noted however that this publication replaces all previous editions in its entirety. Any form of reproduction by any means – manual, electronic, digital or otherwise – is strictly prohibited and subject to prior approval in writing from Promat. All rights related or connected to the Promat logo, Promat registered trademarks, featured illustrations, written information and technical reports in this publication are the sole, exclusive and copyright property of Promat and its legal partner companies.

Etex is a Belgian industrial group that specialises and markets high quality building materials and systems. Founded since 1905 and headquartered in Brussels, Belgium, Etex currently operates in 107 factories and 102 subsidiaries across 42 countries, employs more than 15,000 people and is one of the largest fibre cement producers in the world.

Through its subsidiaries, the group offers an extensive range of products: small and large roofing materials, cladding and building boards, passive fire protection systems.

Etex aims to be a professional, solid partner for all kinds of building projects.

